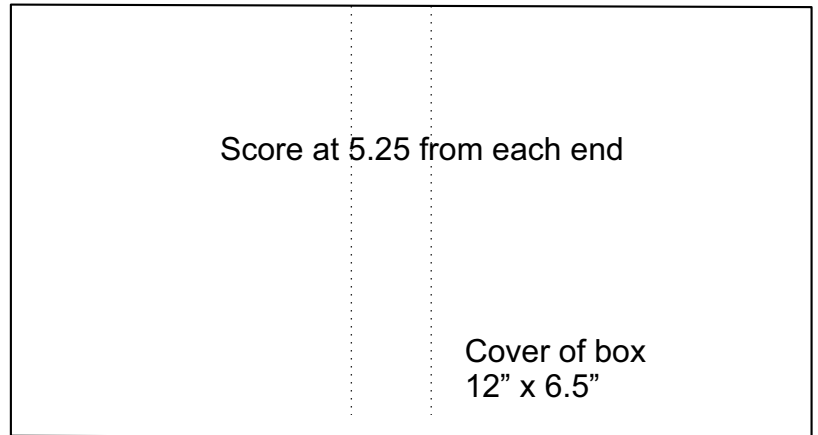
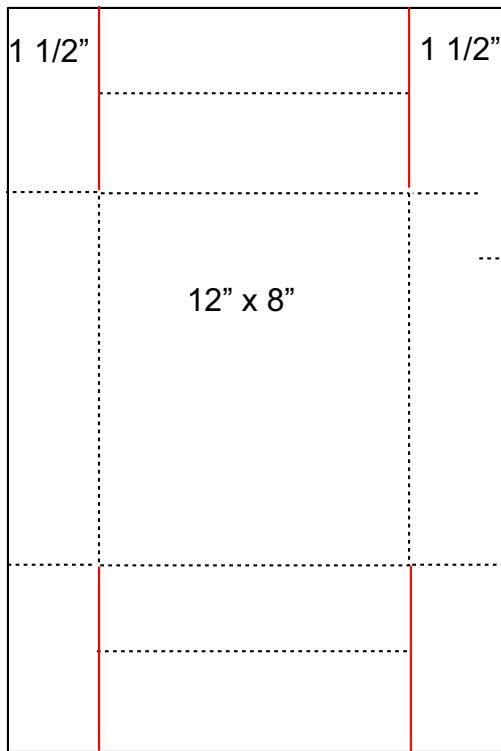


Score at 1.5" and at 3"

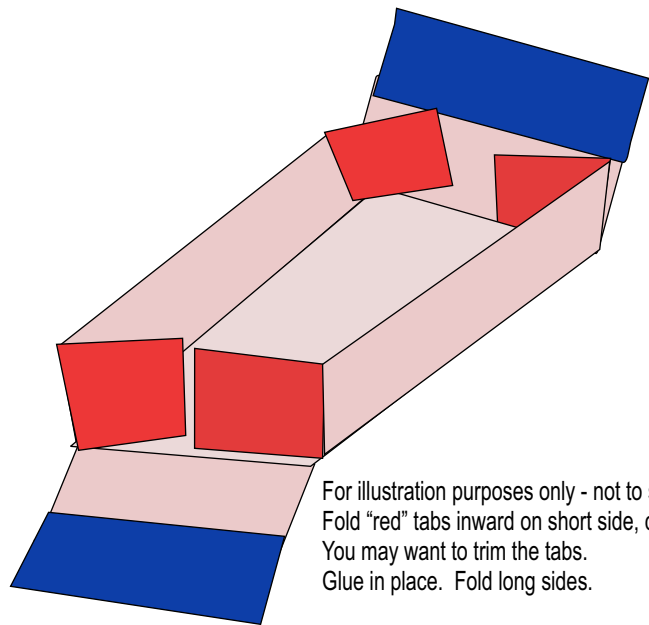


← Tabs at each end
(red lines are to be cut)

Cut cardstock at 8" x 12" This works well with heavy cardstock or chipboard. Score at 1.5" all around. Cut four lines for tabs which will fold in to attach to other side. (shown as red in illustration) Score another 1.5" at each end to cover the glued tabs.

For box cover, you will cut 1/2" taller for 1/4" overhang or 1" taller for more overhang. Cut cardstock at 12"x6.5" Score at 5 1/4" from each end. This leaves a space in the center for the "binding."

Box bottom should be 5x6. Fill it with a surprise gift or use for a 3D card. Use satin ribbon between box and cover before gluing cover to bottom of box to use as closure, or cut fabric strip and use magnet with grommet. You can cover the inside of the cover with a patterned paper to cover the ribbon. Further decorate your box with flowers and what-not.



For illustration purposes only - not to scale:
Fold "red" tabs inward on short side, cover with "blue."
You may want to trim the tabs.
Glue in place. Fold long sides.